

# MG Z-HOOK

The MG Z-HOOK Panels have a hook connection and are mechanically fastened with concealed clips and fasteners. The panels are installed in a sequential pattern, overlapped and sealed as required to form a watertight system. Additional size and material options are available. Please contact M.G. McGrath, Inc. for information.

- Materials

Steel - 22 to 26 gauge

Stainless Steel - 24 and 26 gauge

Aluminum - .032" and .040"

Copper - 16, 20 & 24 oz

Zinc - .7mm, .8mm

Titanium - 26 gauge

- Sizes

Width - 6" to 24"

Length - 12" to 240"

\* Nominal sizes vary based on material

- Finishes

A full line of finishes are available

Finish warranty available

- Features

Hook connection

Traditional appearance

- Limitations

Cannot be radiused

Cannot be tapered

- Technical Information

UL 263 & UL 790 Class A fire rating

UL 2218 Class 4 hail rating

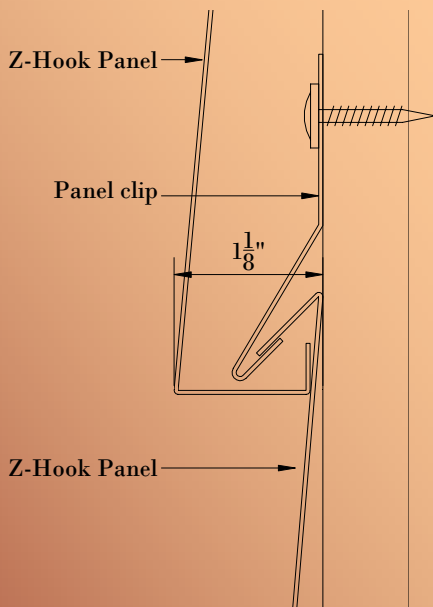
\* Specification are dependent upon conditions

- Notes

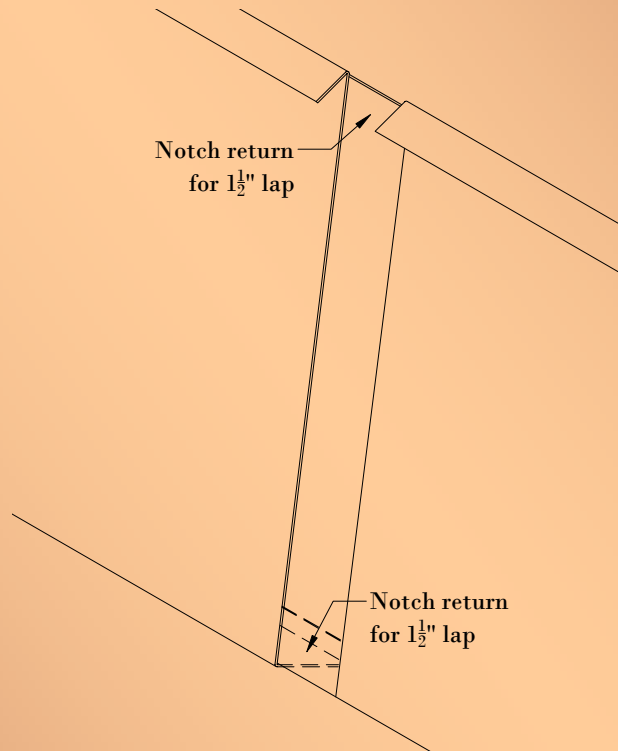
Light gauge material can cause oil canning

Pre-finished material will craze at bends

Flashing & accessories available



Panel Profile



Z-Hook Panel Elevation



1387 EAST COPE AVENUE \* MAPLEWOOD, MN 55109  
PHONE 651.704.0300 \* FAX 651.704.9989 \* [www.mcgrathshmtl.com](http://www.mcgrathshmtl.com)

# **MG Z-HOOK**

The **MG Z-HOOK** Panel offers a traditional profile that reduces oil canning for a wall or roof application. The panel exposure can be modified to match existing or to best fit the material availability. The panels are formed continuous and the hook seams and sloping face prevent water infiltration. The panels are available in a wide variety of materials and colors to meet your needs. Please contact M.G. McGrath for more detailed information regarding your project.



Minnesota State Fair Horse Barn

Material type here



1387 EAST COPE AVENUE \* MAPLEWOOD, MN 55109

PHONE 651.704.0300 \* FAX 651.704.9989 \* [www.mcgrathshmtl.com](http://www.mcgrathshmtl.com)

Jul-07